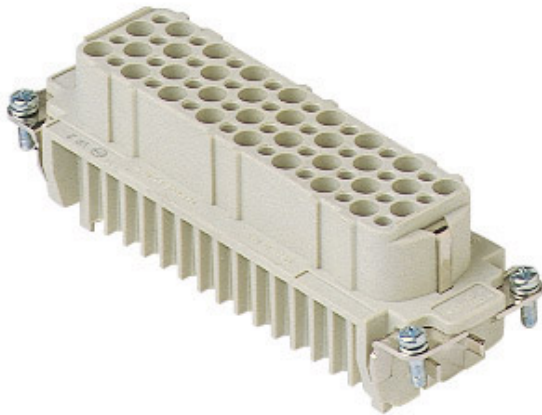



Part number
CDF 64



Brief description:

female insert, 64 poles + PE, crimp connections, 10A, 250V, 4kV, 3, size "104.27", CLASS insert series

Product description	
Model	female insert
Version	crimp connections
Series	CD
Product type	for female contacts 10A
Family	CLASS inserts
Size	size "104.27"
N. of poles	64 poles + 
Technical data	
Current	10 A (A.C. and D.C.)
Voltage	250 V
Rated impulse withstand voltage	4kV
Pollution degree	3
Operating temperature range (min, max)	-40°C ... +125°C
Mating cycles	≥ 500
IP degree of protection	IP20 without enclosure; IP65/IP66/IP67/IP68 with enclosure
PE connection type	Screw
PE terminal stripping length	7 mm
PE wire cross-section	0,14-2,5 mm ² ; AWG 26-14
Tightening torque for PE connection	M4: 1,2 Nm, 10,6 lb.in (Ph2 or 1,0x5,5mm)
Further technical details	
Characteristics according to EN 61984	10A 250V 4kV 3; 10A 230/400V 4kV 2
Insulation resistance	≥ 10 GΩ
Contact resistance	≤ 3 mΩ
Rated voltage according to UL/CSA	600V
UL 94 flammability rating	V-0
Main contacts stripping length	6 - 8 mm
Tightening torque for fixing screws	M3: 0.5 Nm; 4.4 lb.in (Ph1 or 0.8x4 mm)
Weight	84,00 g

Approvals / Standards	
Reference standard	EN 61984 (2001-11)
Quality mark	 EAC
Conformity	CQC, CE
General ordering information	
EAN13 code	8015747014458
Tariff number	85369095
Country of origin	Made in EU (IT)
ETIM classification	EC000438
Packaging Information	
Packaging length	210,00 mm
Packaging height	130,00 mm
Packaging width	240,00 mm
Packaging weight	2,90 kg
Packaging volume	6,55 dm ³
Packaging description	Carton box
Packaging quantity	30 Pcs
Packaging EAN code	8015747014465
Sub-packaging weight	0,48 kg
Sub-packaging description	Carton
Sub-packaging quantity	5 Pcs
Sub-packaging EAN barcode	8015747014472

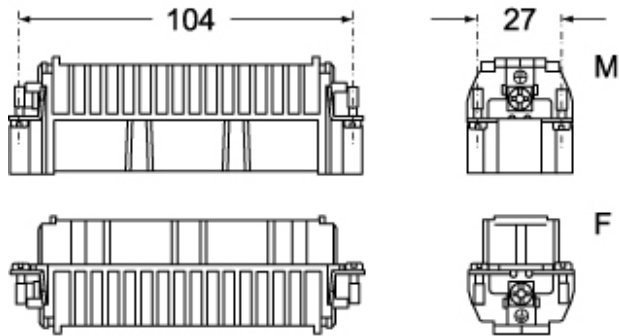
Part number

CDF 64

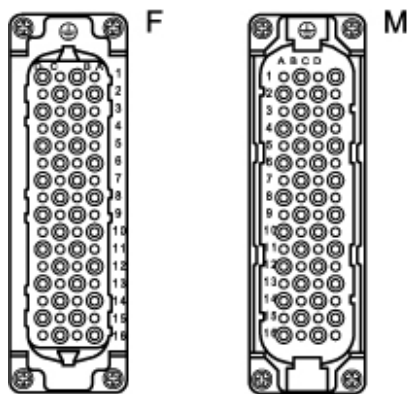


Catalogue drawings

CDM 64

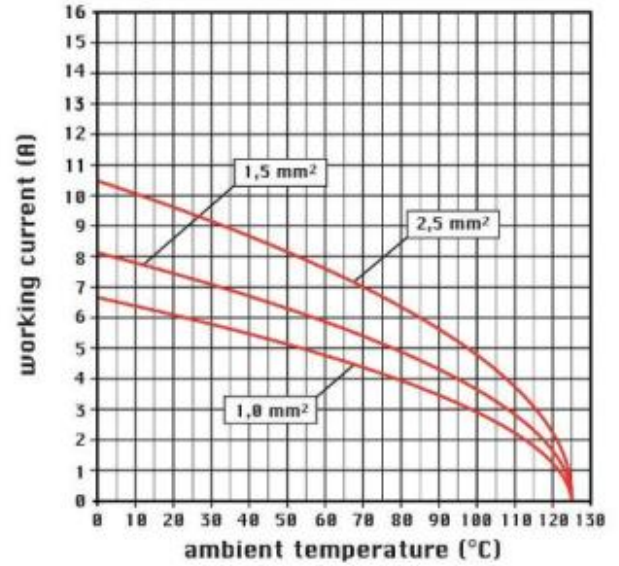


CDF 64



Catalogue drawings

diagram CD 64 and 128 poles



Notes

CDA ... : for non-prepared conductors



CDA ... X : for conductors with bush terminal